



D 250 AHGA



www.ausa.com

**AUSA Center, S.L.** ● Ctra. de Vic, Km 2.8 - P.O.B. 194. 08243 Manresa - BARCELONA (ESPAÑA) Tel.: +34 93 874 73 11 - E-mail: ausa@ausa.com

ISO 9001

ISO 14001



(Sede central AUSA-Manresa)

**AUSA Madrid** ● Pol. Ind. Coslada - C. Marconi 15-17. 28823 Coslada - MADRID (ESPAÑA) Tel.: +34 91 669 00 06 - E-mail: ausa.madrid@ausa.com

**AUSA France** ● Z. I. Saint Charles - Rue de Zürich, 66000 PERPIGNAN (FRANCE) Tel.: +33 (0) 4 68 54 38 97 - E-mail: ausa.france@ausa.com

**AUSA Deutschland** ● Heinrich - Welken Str. 5. 59069 HAMM (GERMANY) Tel.: +49 (0) 2384-9889905 - E-mail: ausa.deutschland@ausa.com

**BEIJING Rep. Office** ● Address Room 527. HengXiang Building, Tuanjiehu Nanli, Chaoyang District. - BEIJING 100026 (CHINA)

Tel.: 86-10-8597 1983 - Fax: 86-10-8597 1993 - E-mail: ausa.china@ausa.com

**AUSA UK** ● Tel.: 07970639988 - E-mail: ausa.uk@ausa.com

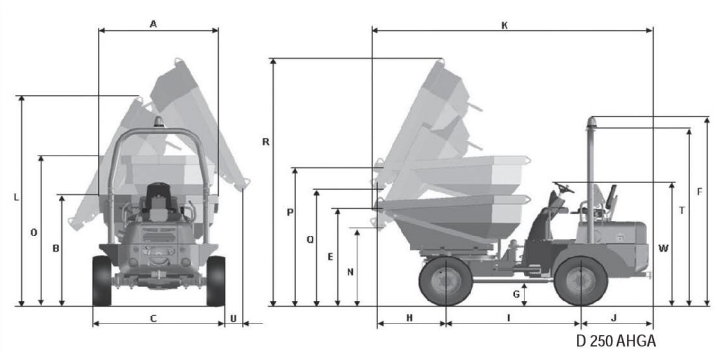
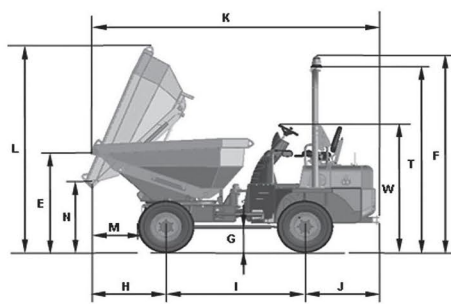
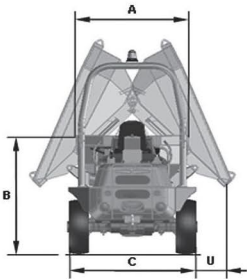


**D 250 AHGA\_2500 Kg**

**AUSA**  
www.ausa.com

**DIMENSIONS (mm) D 250 AHGA**

A	1695
B	1700
C	1875
E	1540
F	2924
G	363
H	980
I	1920
J	995
K	4000
L	3230
M	590
N	1250
T	2705
U	250
W	1909
O	2300
P	2140
Q	1850
R	3830



**TECHNICAL SPECIFICATIONS**

		<b>D 250 AHGA</b>
<b>Load capacity (Kg)</b>		2500
<b>Unloading system</b>		Hydraulic tipping
<b>Chassis</b>		Articulated and oscilating
<b>Hopper capacities (l)</b>	Water	817
	Levelled	1246
	Heaped	2063
<b>Engine</b>	Diesel	Kubota V2403M
	Power acc./SAE J 1995 (KW/HP)	36.5 / 49.6
	N° of Cylinders	4
	Cooling system	Water
<b>Traction</b>		4 x 4 permanent
<b>Transmission</b>		2-speed hydrostatic. Front-reverse direction electro-hydraulic operated. Axles with planetary reduction on differential output
<b>Engine starting system</b>		Electric
<b>Speed (max.) (km/h)</b>		20
<b>Unladen weight (Kg)</b>		2960
<b>Gradient negotiable (with full load)</b>		70 %
<b>Hydraulic circuit</b>		Gear pump of 12 cc. Working pressure 180 bar
<b>Tyres</b>	Front	10,0/75-15.3
	Rear	10,0/75-15.3
<b>External turning circle</b>		4330
<b>Steering</b>		Hydraulic Working pressure 110 bar
<b>Tank capacity (l)</b>	Fuel	44
	Hydraulic fluid	40
<b>Service brake</b>		Oil-immersed, multidisc, hydraulically operated
<b>Parking brake</b>		Oil-immersed, multidisc, mechanically operated
<b>STANDARD EQUIPMENT</b>		Foldable ROPS arch Anti vandal system Ergonomic seat with safety belt Rotating beacon Audible reverse warning
<b>OPTIONAL EQUIPMENT</b>		Lighting equipment Towing hitch Electronic antitheft protection system